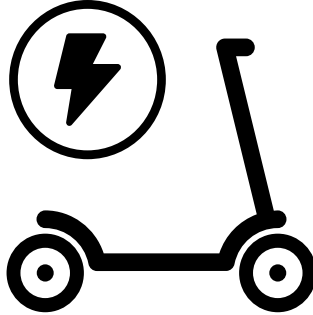




Elektrikli Scooter

Kullanma Kılavuzu



A35010

EN - TR



01M-9950191100-1522-01

Please read this user manual first!

Dear Valued Customer,

Thank you for preferring this Arçelik appliance. We hope that you get the best results from your appliance which has been manufactured with high quality and state-of-the-art technology. For this reason, please read this entire user manual and all other accompanying documents carefully before using the appliance and keep it as a reference for future use. If you handover the appliance to someone else, give the user manual as well. Follow the instructions by paying attention to all the information and warnings in the user manual.

Remember that this user manual may also apply to other models. Differences between models are explicitly described in the manual.

Meanings of the Symbols

Following symbols are used in various sections of this user manual:



Important information and useful hints about usage.



WARNING: Warnings against dangerous situations concerning the security of life and property.



WARNING: Warning for danger of fire.



WARNING: Warning for electric shock.



This appliance has been produced in environmentally friendly facilities without harming the nature.

CONTENTS

1 Important safety and environmental instructions 4

- 1.1 General safety 4
- 1.2 Compliance with the WEEE Directive and Disposing of the Waste Product: 8
- 1.3 Compliance with RoHS Directive 8
- 1.4 Package Information 8
- 1.5 Information on Waste Batteries 8

2 General appearance 9

- 2.1 Overview 9
- 2.2 Technical data. 10

3 Installation of appliance 12

- 3.1 Assembling the device. 12
- 3.2 Unfolding and folding the scooter. 12
 - 3.2.1 Unfolding the scooter 12
 - 3.2.2 Folding the scooter 13

4 Preparation 14

5 Charging 15

- 5.1 Charging 15
- 5.2 Regarding battery charging 16
- 5.3 Warnings 16

6 Operation of the appliance 17

- 6.1 Intended use. 17
- 6.2 Vehicle operating instructions 17
- 6.2 Front and back LED light 17
- 6.3 Safe riding 17
- 6.4 Electric scooter safe parking 19
- 6.5 Safe transportation 19

7 Cleaning and maintenance 20

- 7.1 Battery maintenance 20
- 7.2 Bearings, screws, brakes and wheels. . . 20
- 7.3 Storage and cleaning 21

8 Troubleshooting 22

1 Important safety and environmental instructions

1.1 General safety

IMPORTANT: Read the user manual carefully before using the appliance and keep it as a reference for future use.

WARNING: First, learn safe riding before you ride the Electric scooter. We recommend always wearing helmet and protective gear like elbow, knee and wrist protectors to ensure your personal safety. Also make sure you have read the user manual carefully, to ensure you know how to ride it in a safe way.

WARNING: Due to the laws of some countries, there is a minimum age limit to use this product and you must have a driver's license. In this type of situation purchased. Make sure that you meet the legal requirements of the country you are in to use the vehicle you are in.

- It is not a highway vehicle, do not use it on highways.
- It is your responsibility to be aware of and comply with all regulations in the country which you aim to drive in. Please also check

which roads are allowed to drive Electric scooter in the country. If there are no regulations for this Electric scooter in your country, please take care of your own safety and the safety of others.

- Also pay attention to other people. Always ride safely and only at a speed that allows you to brake safely at any time. A common thing for such products is that there is a risk that you may fall off the product and injure yourself. Always ride as safely as possible.
- If lending the electric scooter to friends and family, please make sure they use proper protective gear and know how to ride it.
- Before riding the electric scooter, please check that all parts are working as supposed to. If any loose parts, abnormal noise, reduced battery life etc. are detected, please contact your retailer for product service and warranty. Do not repair the electric scooter yourself.
- Inspect the rear tire, rear brake, and brake pad according to

1 Important safety and environmental instructions

Section 7 of the maintenance specification in this operation instructions. The electric scooter may become unstable if the rear brake is deformed or loose. This is because the distance between the brake pad and the rear wheel becomes too small, possibly leading to a blocked rear wheel.

- Avoid applying too much force or stepping on the rear fender permanently. This may cause the fender to loosen or damage the spring holding the fender. As a result, the brake pad constantly touches the wheel and the motor temperature increases due to the additional resistance. The rear tire can also get loose if the brake is in constant braking position.
- Avoid constant braking. As a result, the tires will not only wear off, but also become hot. This will soften the rubber and it will no longer have the same grip on the road as usual. Do not touch the tire after braking.
- If the tire gets untight stop driving immediately and contact your customer service.
- Tire should be changed by the independent operator or service.
- Please change the tire at regular.
- If you hear unusual noises or notice friction when switching on the electric scooter, a bearing may be damaged. A worn bearing may even be indicated by strong vibration of the handlebar. In this case,
- Ride the electric scooter only on a dry surface since otherwise the riding safety and braking performance may be impaired and the motor or bearings may be damaged.
- Please do not ride up or down long and steep slopes.
- The scooter cannot use on the steep road.
- The e-scooter has overheating protection system and maybe it is activated on long slopes riding. please wait a while to reactivate the product by power on again.
- Stop riding when you receive the “Low Battery Warning”. The electric scooter then moves only

1 Important safety and environmental instructions

slowly and does not have the same traction as normal and the electric brake does not work. In this case, please use the rear brake to stop the electric scooter. Get off the Electric scooter as soon as the speed allows to do that safely.

- Do not use the electric brake and the throttle at the same time.
- A normally working Electric scooter operates safely and quietly. If you hear noises or notice bumpy operation, please check wheels, bearings, and brakes. Contact your customer service for repair and maintenance, if necessary.
 - The A-weighted emission sound pressure level at workstations, where this exceeds 70 dB(A); where this level does not exceed 70 dB(A)
 - The peak C-weighted instantaneous sound pressure value at workstations, where this exceeds 63 Pa (130 dB in relation to 20 μ Pa)
 - The A-weighted sound power level emitted by the machinery, where the A-weighted

emission sound pressure level at workstations exceeds 80 dB(A)

- Take the time to learn the basics of the practice to avoid any serious accident that can take place in the first months
- Avoid high traffic areas or overcrowded areas.
- In any case, anticipate your trajectory and your speed while respecting the code of the road, the code of the sidewalk and the most vulnerable.

WARNING: It is recommended to avoid obstacle jumping. Before crossing these obstacles, it is very important to predict and adjust your trajectory and speed to suit the trajectory and speed of pedestrians. When these obstacles become dangerous due to their shape, height or sliding, it is also recommended that you get out of e-scooter.

WARNING: Keep plastic covering away from children to avoid suffocation.

WARNING: Notify your presence when approaching a pedestrian or

1 Important safety and environmental instructions

cyclist when you are not seen or heard.

WARNING: Cross the protected passages while walking.

WARNING: In all cases, take care of yourself and others.

WARNING: Do not divert the use of the vehicle.

WARNING: This vehicle is not intended for acrobatic use.

WARNING: Caution, the brake may become hot in use. Do not touch after use.

WARNING: Regularly check the tightening of the various bolted elements, in particular the wheel axles, the folding system, the steering system and the brake shaft.

WARNING: Eliminate any sharp edges caused by use.

WARNING: Do not modify or transform the vehicle, including the steering tube and sleeve, stem, folding mechanism and rear brake.

WARNINGS:

- Failure to observe, loss of control, falls, and violations of the rules can cause injuries.
- Speed and range depend on the rider's weight, terrain, tempera-

ture, and riding style.

- Wear a helmet and protective clothing when riding the Electric scooter.
- Read the operating instructions carefully before riding the Electric scooter.
- For use only in a dry environment.
- Make sure that this product complies with local regulations.

WARNING: It should not be used on roads prohibited by local governments.

- It should not be driven by hanging or holding on to another vehicle.
- It should not be driven with one hand.
- Dangerous behaviors should not be done while driving.
- Do not disassemble or change any part of the vehicle without the approval of the authorized service or do not modify. Operations made without the approval of the authorized service will spoil the originality of the vehicle and the vehicle will be out of warranty. Please make all changes at authorized service points.

1 Important safety and environmental instructions

WARNING: Never use the product close to a water source.

WARNING: Stop using the product when damaged.

- Do not attach anything on the handlebar. It can affect the stability of the e-scooter.
- Accessories and any additional items which are not approved by the manufacturer shall not be used.
- Please check the limits of use in accordance with the local regulations (e.g. use in pedestrian areas, on-road).
- Do not touch the brake disc.

1.2 Compliance with the WEEE Directive and Disposing of the Waste Product:

This product complies with EU WEEE Directive (2012/19/EU). This product bears a classification symbol for waste electrical and electronic equipment (WEEE).



This symbol indicates that this product shall not be disposed with other household wastes at the end of its service life. Used device must be returned to official collection point for recycling

of electrical and electronic devices. To find these collection systems please contact to your local authorities or retailer where the product was purchased. Each household performs important role in recovering and recycling of old appliance.

Appropriate disposal of used appliance helps prevent potential negative consequences for the environment and human health.

1.3 Compliance with RoHS Directive

The product you have purchased complies with EU RoHS Directive (2011/65/EU). It does not contain harmful and prohibited materials specified in the Directive.

1.4 Package Information



Packaging materials of the product are manufactured from recyclable materials in accordance with our National Environment Regulations. Do not dispose of the packaging materials together with the domestic or other wastes. Take them to the packaging material collection points designated by the local authorities.

1.5 Information on Waste Batteries

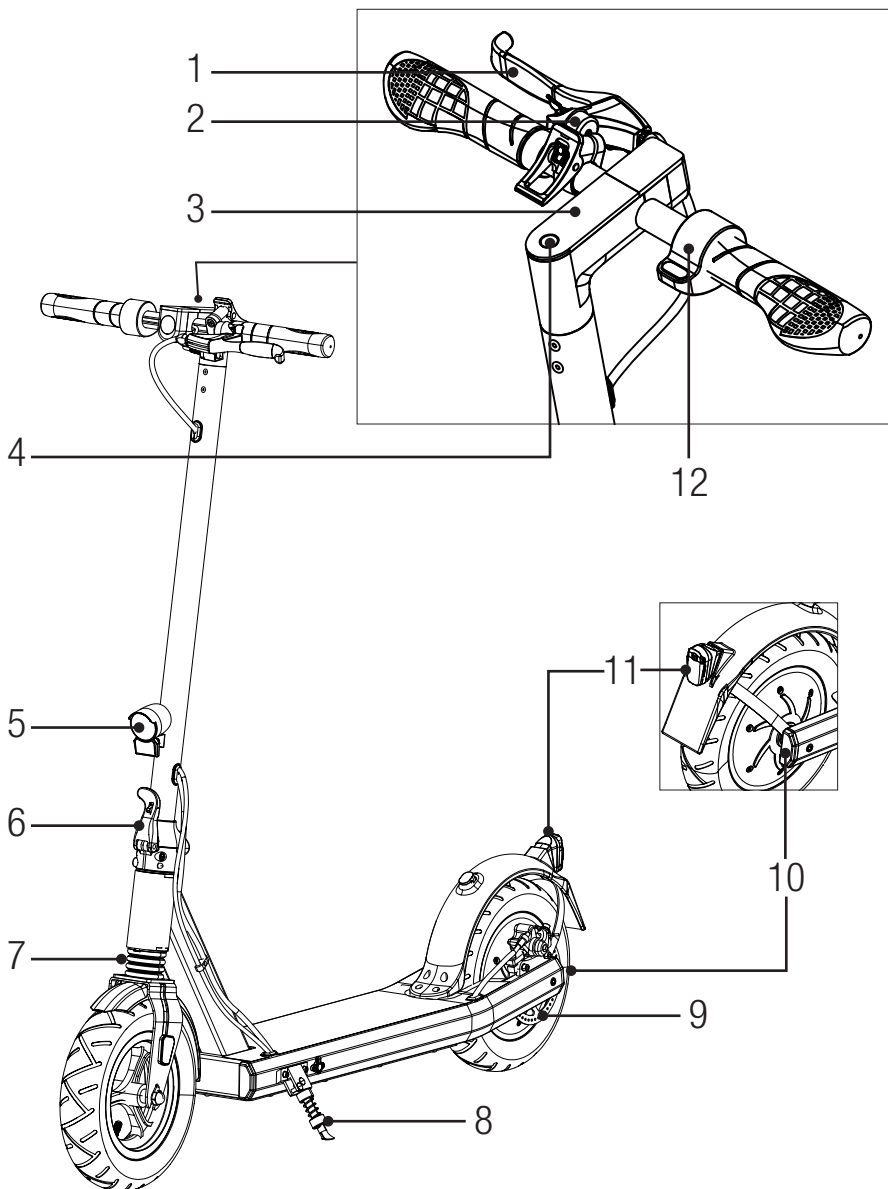


This symbol on rechargeable batteries/batteries or on the packaging indicates that the rechargeable battery/battery may not be disposed of with regular household waste.

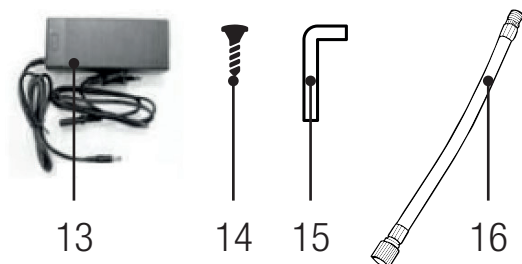
Always dispose of used rechargeable batteries/batteries in accordance with local environmental regulations. Make enquiries about the applicable disposal regulations where you live.

2 General appearance

2.1 Overview



2 General appearance



Control and parts

1. Brake lever
2. Bell
3. LED display
4. Power / Front Headlight on/off button
5. Front headlight
6. Unfolding and folding lever
7. Front shock suspension
8. Foot support
9. Disc brake
10. Warning lights
11. Rear headlight
12. Accelerator button
13. Charger
14. 6x Screw for handle bar
15. Allen key
16. Air pump nozzle

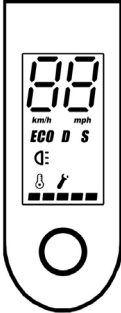




2.2 Technical data

Input	100V-240V~, 50/60Hz, 2.5A(Max)
Output	42V, 2A
Battery	36V 7.5Ah
Max speed	25 km/h
Distance up to	25 km
Weight	16 kg
Max load	120 kg
Power consumption	≤ 350W
Emission sound pressure level	Emissions < 70 db (A).
Max. Slope	~15°
Folding size (L*D*H)	1140*435*490 mm

2 General appearance

Unfolded size (L*D*H)		1140*435*1165 mm
Charging time		5 h
Battery	Nominal voltage	36 V
	Input voltage	42 V
Type: Li-ion battery	Battery capacity	7500 mAh
Always charge the electric scooter with the supplied power adapter		XHK-800B-4220

LED display

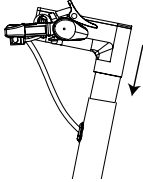
	88	Driving speed	Real-time driving speed
	km/h	Speed unit	Speed unit, press the on/off key three times to change to km/h or mph.
	mph		
	ECO mode	Speed mode	Low-speed gear light, 0-6km/h.
	D - Drive mode		Medium-speed gear light, 0-15 km/h
	S - Sport mode		High-speed gear light, 0-25km/h
		Headlight icon	When the headlight icon light on, the front light is on. Press the on/off button twice to switch the headlights.
		Overheating warning icon	When the scooter temperature is getting too high, this icon will light up to remind the user to stop riding.
	Fault icon	If the Fault icon light is on, do not drive, and check the scooter by a professional person.	
	Battery icon	Real-time remaining battery power display. Five bars are fully charged, 1 bar and blinking is low battery, please charge in time.	

3 Installation of appliance

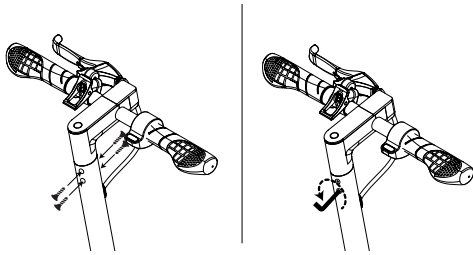
3.1 Assembling the device

Before using the scooter it is necessary to install the handlebar on the frame main vehicle.

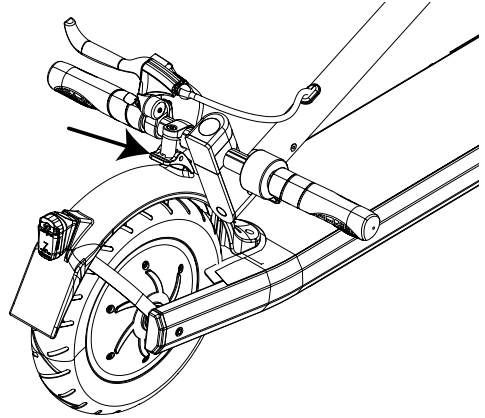
1. Insert the handlebar into the vehicle frame.



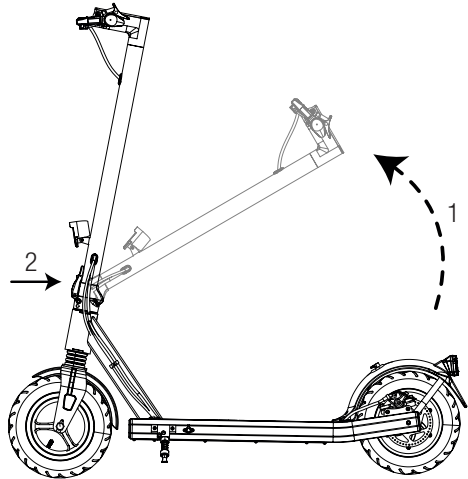
2. After matching the holes in the handlebar with those of the frame, insert the screws and tighten them well; repeat the operation also in the side opposite of the handlebar inserting a total of 4 screws.



2. Unlock the hook on the handlebar.



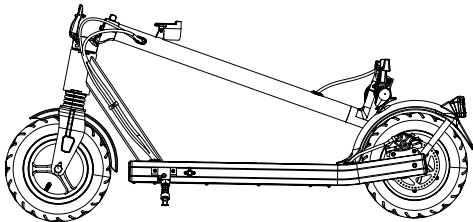
3. Pull up the handle in a gentle way. Raise the handle slowly. Close the lock lever located on the lower part of the handlebar support tube.



3.2 Unfolding and folding the scooter

3.2.1 Unfolding the scooter

1. Place the electric scooter on its wheels like below.

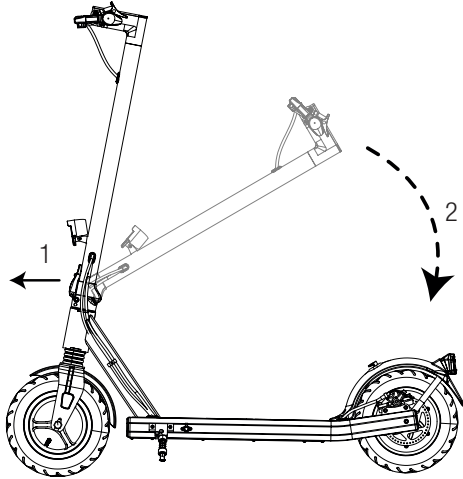


3 Installation of appliance

4. The electric scooter is unfolded as soon as you hear the rod clicks into place.

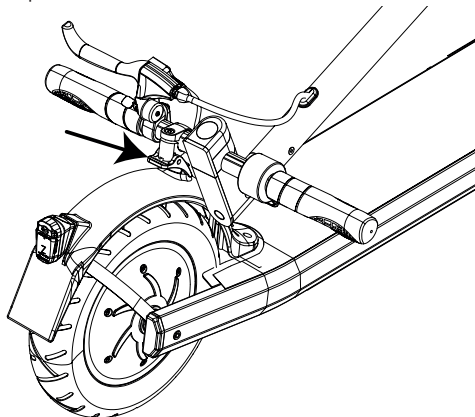
3.2.2 Folding the scooter

1. Release the release lever located on the lower part of the support tube of the handlebars. Fully open the release lever.



2. Open the scooter by accompanying the handlebar tube downwards.

3. Hook the folded tube onto the appropriate support.



4 Preparation

- Please make sure to check that the steering system is correctly adjusted and that all connection components are firmly secured and not broken before riding, and that the brakes and wheels are in good condition. Refer to handle assembly and safety instruction.
- Please read operation guide and warnings of correct techniques for use and braking
- Must wear shoes
- First, charge the battery completely
- Do not wear loose clothing or open laces that can get caught in the Electric scooter wheels
- We highly recommend to always wear helmet/pads for your own protection
- Self-locking nuts and other self-locking fixings may lose their effectiveness
- All parts and materials of electric scooter cannot be changed, modifications of the scooter are not allowed. If done, then warranty is void
- Please turn on the lights when driving at night
- Maximum capacity: 120kg.

5 Charging

5.1 Charging

Connect the supplied power adapter to the charging port of the electric scooter. Lithium battery inside.



- Make sure that the Electric scooter, charger, and DC power input of the device are always dry.



To charge this Electric scooter, use SOLELY the supplied XHK-800B-4220 charger with the following output: 42 V -2 A.

- Use the mains adapter to plug the DC input of the device into a conventional socket.
- There will be no light on the charger before charging, when connected to e-scooter the adapter will light red, and charging has started.
- The red indicator lights up when properly charged; if this is not the case, please check the connections.
- Now you can stop the charging cycle. Overcharge shortens the battery life.
- The charging process takes up to 4 hours. Do not charge the battery for more than 3 hours. After 3 hours, disconnect the charger from the device and the power supply. Overcharge reduces the battery service life.
- Do not remove the device from its package to fully charge it and then put it back in the package.

- Allow the Electric scooter to cool down for at least 1 hour before it can be put in the package.
- Do not leave the device exposed to sunlight in a car.



WARNING: When charging, the machine will automatically shut down and cannot be turned on. It can be turned on after unplugging the charger.



CAUTION: The Electric scooter must not be used during the charging cycle

- The LED indicator on the battery charger lights red during the charging process.
- The LED indicator on the charger will light green when the charging process is complete.
- After charging, disconnect the charger from the mains and the Electric scooter.



CAUTION: Connect the DC cable supplied with the Electric scooter only to the DC input!

- Do not insert foreign objects into the DC input.



CAUTION

- Do not remove the protective cap from the DC input!
- Remove the cap only when charging the Electric scooter!
- After charging, disconnect the DC plug and close the DC input again with the cap!



WARNING: Make sure that neither water nor other liquids penetrate into the inner components of the Electric scooter; otherwise, the electronics/batteries of the device could be permanently damaged. There is a risk of injury.

5 Charging

5.2 Regarding battery charging

The battery built in the Electric scooter is not fully charged from production line and when left unused the battery can slowly discharge by itself.

This can lead to slow charge if the battery is fully discharged, but this is done to avoid damage to the battery.

If you experience that you cannot turn on your E-scooter, and it doesn't seem to charge (the charger lights up green instantly), then please do the following.

1. Leave the charger in for 6-7 hours. This will make sure the battery will be fully charged again (it can take 3-4 hours before it starts normal charging).
2. If this does not solve your problem, please ride the Electric scooter manually without turning it on. Use your legs to give speed, for around 100 m, and then connect the charger. The engine in the front wheel will this way help to activate the charging function and it will charge normally. (fully charge takes 3 hours if using this way)

5.3 Warnings

- Using another charger may damage the product or create other potential risks.
- Never charge the product without supervision.
- The charging period of the product should not exceed four hours. Stop charging after four hours.
- The product should only be charged in temperatures between 0°C and 45°C.
- If charging at lower or higher temperatures, there is a risk that the performance of the battery will be reduced and a potential risk of damage to the product and personal injury.
- The product should only be used in temperatures between -10°C and +45°C.
- If used at lower or higher temperatures, there is a risk that the performance of the battery will be

reduced and a potential risk of damage to the product and personal injury

- Store the product at temperatures between 0°C and 35°C. (optimum storage temperature is 25°C)
- Charge and store the product in an open, dry area and away from flammable materials (i.e. materials that may burst into flames).
- Do not charge the device in direct sunlight or in the vicinity of open flames.
- Do not charge the product immediately after use. Let the product cool down for one hour before charging.
- If the product is left with other persons for example during a holiday period, it should be partially charged (20-50% charged). Not fully charged.
- When shipped from the factory, the product has often been partially charged. Keep the product in a partially charged state, until it is going to be use.

6 Operation of the appliance

6.1 Intended use

The Electric scooter is neither a means of transport nor sports equipment, but a device for personal entertainment. The Electric scooter is for only by a person aged at least 16 with a maximum weight of 120 kg. The technical data for the permissible operation of the Electric scooter is defined in the section. Importantly, the Electric scooter may only be operated in good visibility conditions and only if the physical conditions for stability on the Electric scooter are met (for example, it can not one leg drive, or do not drive under the influence of drugs or alcohol). When operating the electric scooter, the Important safety and environmental instructions must wear personal protective equipment specified in the section.

6.2 Vehicle operating instructions

1. Press the power button (4) to change gears, low gear (ECO), medium gear (D), high gear (S).
2. You have to manually kick the Electric scooter with your foot before accelerating to drive.
3. Vehicle start mode: The scooter is a power-assisted start mode, and the accelerator button (12) will only work when the speed of the scooter reaches 3km/h. Press the accelerator button (12) to accelerate and you can start. Press the brake lever (1) to brake.
4. When you press the accelerator (12) and brake lever (1) at the same time, the Electric scooter will automatically brake.



For safety, the rear wheel brake system must be used when driving at high speed.

5. When driving at night, press the power button (4) twice to turn on /off the front LED light.
6. After booting, the rear lights will automatically flash when the current speed is 0-6 KM/H in ECO mod.

7. Press the brake lever (1), the scooter will stop running.
8. Factors affecting cruising range. It depends on several factors:
 - Terrain: There is a larger range on a flat road than on an uneven ground.
 - Weight: The range depends on the weight of the rider.
 - Temperature: Extreme temperature will reduce the range.
 - Maintenance: If the electric scooter is charged correctly and the battery is in good condition, the cruising range will be extended.
 - Speed and riding style: The range at constant speed is larger than the range of frequent stops and starts, accelerations and braking.
9. For pneumatic tires, the maximum pressure is marked on the tire.

6.2 Front and back LED light

1. This Electric scooter is equipped with the front and back LED lights. Press the power button (4) twice to turn on/off the front and back LED lights.
2. Press the brake lever (1) to make the rear LED lights flash.

6.3 Safe riding

This chapter focuses on safety, experience, and warnings. Before operating the vehicle, please read all installation and operating instructions carefully.



WARNING: Familiarize yourself with the vehicle before you use it so that you can keep the Electric scooter in sound condition.

- Observe all safety instructions when riding the Electric scooter.
- Children, elderly people, and pregnant women are not allowed to ride the vehicle.

6 Operation of the appliance

- People with limited sense of balance are not allowed to ride the Electric scooter.
- Avoid riding the Electric scooter under the influence of alcohol or other substances.
- Do not carry any objects while riding.
- Make sure you have a clear vision in front of you to ride the Electric scooter safely.
- While riding, your feet must always be on the foot support (8).
- The Electric scooter can accommodate only one person.
- Do not start or stop abruptly.
- Avoid riding on steep slopes.
- Stop riding the Electric scooter if you hit a solid object (such as a wall or other structure) with it.
- Do not ride in dimly lit or dark places.
- Ride the Electric scooter at your own risk, we assume no liability for accidents or damage.
- Users are obliged to comply with the rules specified in the Electric Scooter Regulation No. 31454, the Highway Traffic Law No. 2918 and other relevant legislation. No liability is accepted for any financial loss, physical injury, accident, legal dispute and other disputes arising from non-compliance with these regulations and/or actions that violate user instructions.
- Ride at a safe speed that allows you to stop at any time.
- Keep the electric scooter at a sufficient distance from pedestrians and vehicles to avoid collisions.
- Steer through balance shifting, fast movement can result in falls.
- Do not ride in rain or under other wet conditions. Ride only in dry weather.
- Avoid riding over obstacles, if possible, and avoid snow, ice, and slippery surfaces.
- Avoid riding over textiles, small branches, and stones, if possible.
- Avoid riding in narrow places or in places with obstacles, if possible.
- Jumping on and off the Electric scooter will cause damage that is not covered by the warranty. There is a risk of injury. Injuries and damage due to “trick riding” are not covered by the warranty.



To charge this Electric scooter, use SOLELY the supplied XHK-800B-4220 charger with the following output: 42 V -2 A.

- Do not modify or transform the vehicle, including the steering tube and sleeve, stem, folding mechanism and rear brake.
- The height of the user: 140-200 CM
- The age of the user: 16-50 Years
- Ensuring the rider's safety.
- Avoiding damage due to overload.



WARNING: Make sure that neither water nor other liquids penetrate into the inner components of the Electric scooter; otherwise, the electronics/batteries of the device could be permanently damaged. There is a risk of injury.



CAUTION: Do not open the electric scooter casing, otherwise the warranty is invalidated.

- Make sure to wear helmet and protective clothing before using the Electric scooter.
- Make sure to read manual carefully before using the Electric scooter.
- The Electric scooter must only be used on dry and level ground
- The Electric scooter may not be used by anyone under age of 16 years

6 Operation of the appliance

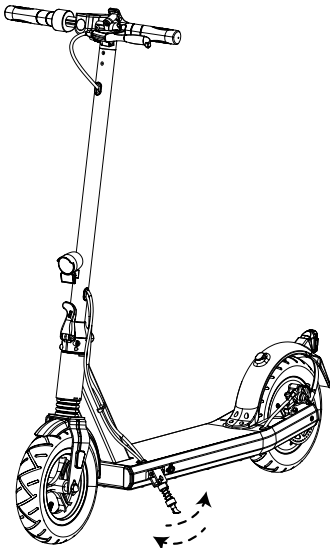


WARNING: As with any mechanical component, a vehicle is subject to high stresses and wear. The various materials and components may react differently to wear or fatigue. If the expected service life for a component has been exceeded, it may break suddenly, therefore risking causing injuries to the user. Cracks, the scratches and discoloration in the areas subject to high stresses indicate that the component has exceeded its service life and should be replaced.

6.4 Electric scooter safe parking

Once you have stopped the Electric scooter, get off it and press the side stand down with your right foot to support the Electric scooter. The side stand is located on the left-hand side of the Electric scooter below the foot support (8).

Before you ride again, push the side stand back up so that it is parallel to the foot support (8).



When the vehicle is parked outdoors, please use a mechanical lock to lock the vehicle to prevent theft.

- It should be parked in such a way that it does not hinder the movement of pedestrians and the disabled.
- It should be parked in a way that does not hinder pedestrian and vehicle traffic.
- It should not be parked in a way that violates public order or violates private property.

6.5 Safe transportation

Pack the Electric scooter flat, don't drop the Electric scooter during the transportation, don't to put the Electric scooter near fire or explosive materials.

7 Cleaning and maintenance

- To ensure you get the best possible performance and experience from your electric scooter, it is important to do regular maintenance for important parts of the product.
- Battery maintenance
- Bearings, Screws, Brakes and Wheels
- Storage and Cleaning

Your electric scooter will require some maintenance so please read and familiarize yourself with this guide.

7.1 Battery maintenance

- All batteries have a life cycle, and performance will decrease over time, however here are some advice to maximize the life span of the battery.
- Make sure that the battery is charged at regular intervals, even if you do not use the electric scooter for a long time. This is to prevent damage to the battery, caused by low voltage over an extended period.
- Avoid draining the battery completely. It is best to charge while there is still power on it. This will extend battery life. If the battery is constantly depleted, it will damage the battery (damaged battery caused by wrong handling are not covered by the warranty).
- If riding the electric scooter in cold or very hot areas, the battery time can be lower than when riding in temperatures from 15-25° Celsius. This is not a failure on the batteries, but normal behavior.



WARNING: Even a fully charged battery will run out of power if the electric scooter is not used for a period. Expect a fully charged battery to keep power between 90 and 120 days in off mode, before it is fully discharged. If only partially charged, this period is lower

- Please make sure the battery does not get above 50° Celsius, or below minus 10° Celsius for a longer period. (e.g. don't leave the electric scooter in a hot car in summer, do not put battery into fire etc.) Low temperature (e.g. subzero temperature) can damage the battery cells.
- Keep the Electric scooter away from open flame or other sources of heat to prevent the battery from getting too hot. Also make sure not to leave the electric scooter at freezing temperatures. Both heat and excessive cold can cause the battery to discharge.
- Only use original charger or an official replacement, as different batteries may require specific charger, and if using other chargers, this could cause damage to the product.
- Do not overcharge and discharge the battery.
- Please make sure to charge the battery before it is completely out of power, to avoid damaging the battery cells.



Damaged battery caused by wrong handling are not covered by the warranty.

- It is forbidden to disassemble battery package. This is only to be handled by official service repair centers and professionals.

7.2 Bearings, screws, brakes and wheels

Your electric scooter is made up of moving parts, which in time, will be susceptible to wear and tear.

Bearings and screws: The electric scooter has sealed and dustproof bearings so that no lubrication is required. Check the bearings for wear at regular intervals to avoid unsafe riding. Do not jump on and off and do not apply excessive force otherwise to avoid damage to the bearings. This is not a sports electric scooter.

7 Cleaning and maintenance

Make sure that all screws are properly tightened to avoid unsafe situations. Please check the screws regularly and tighten if they seem loose.

Brakes: Check the brake for wear at regular intervals to avoid unsafe riding. Do not apply excessive force to avoid damage to the brake.

Electric scooter with disc brake will require adjustment over time and in the end will need to be replaced, when worn down. Avoid using electric scooter when brakes are worn down, as this is unsafe and will also damage the brake.

Wheels: Check the wheels for wear at regular intervals to avoid unsafe riding.

Electric scooters come with different wheels but can in general be separated into tires with inflatable inner tubes and solid wheels.

For inflatable tires, please make sure to keep the right pressure, as hard tires will last longer.

If the wheel seems wobbly even after screws are tightened, the bearings might be worn down and need replacement

- Make sure to dry the scooter with a towel, should it become wet.
- Please store your Electric scooter in a dry and cool environment when not in use. Avoid leaving it outdoors, as it is not made for storing in wet areas. Nor is it good to expose to high temperatures caused by direct sun for a long time.

7.3 Storage and cleaning



WARNING: Do not use alcohol, gas, kerosene or other corrosive and volatile chemical solvents. This can damage both the appearance and the internal structure of the electric scooter

- If your Electric scooter gets dirty, please clean it with a damp cloth only, you may not use pressured water-gun or running water, as this could damage vital parts. It is also possible to use a little toothpaste if the dirt is stuck. Remember to clean with damp cloth after this.
- Please make sure to keep the electric scooter turned off while cleaning it, and make sure to cover the charging input to avoid problems with the electronics.

8 Troubleshooting

Error	Remedy
E5 displayed	Check if motor cable connector is loose
E6 displayed	Check if E-scooter is riding on steep slope and lack of power.
Controller overheating protection	Overheating (Once controller temperature within $100^{\circ}\text{C}\pm 10^{\circ}\text{C}$) symbol is lighted on and flashed on the display. Wait a few minutes until overheating icon disappear, the accelerator can be recovered.
Battery overheating protection	E-Scooter may power off in battery high temperature ($70^{\circ}\text{C}\pm 5^{\circ}\text{C}$). E-Scooter need a few minutes (at least 15 minutes) to cool down. After cooling down, E-Scooter can be reactivated by power on.
Low battery warning	Battery status 5 bars are flashed on the display, please stop riding and charging E-Scooter as soon as possible.
Brake is not working	Check and adjust if the disc brake line is loose. E3 fault, please check the e-brake line is loose.
E2 Accelerator is not working	Check if the accelerator line is loose.
Lights are not on	Press "Power" button twice to check if the light is working.
The device does not switch on	Plug in charger and check the battery status
If the charging is abnormal	<ol style="list-style-type: none"> 1. Check if the battery is protected due to the overheating, please waiting for E-Scooter to cool down for a while 2. Check if the charge connector is pulled in completely 3. Check if the charge connector is wet and circuit shorted.
Abnormal noise	<ol style="list-style-type: none"> 1. Check if the air is enough in the inner tire 2. Check if the motor is working as normal. No overheating 3. Check the disc brake, and make proper adjustments.
Handlebar shaking or bending	Check if the screws are loose, and make proper adjustments.
Power off automatically	<ol style="list-style-type: none"> 1. Battery cables may be shorted due to the positive and negative cables are touched abnormally. 2. Check if water is splashed into battery' cabinet from bottom cover. 3. Battery overheating protection, E-Scooter need a few minutes (at least 15 minutes) to cool down

Lütfen önce bu kılavuzu okuyun!





Değerli Müşterimiz,

Arçelik ürününü tercih ettiğiniz için teşekkür ederiz. Yüksek kalite ve teknoloji ile üretilmiş olan ürününüzün size en iyi verimi sunmasını istiyoruz. Bunun için, bu kılavuzun tamamını ve verilen diğer belgeleri ürünü kullanmadan önce dikkatle okuyun ve bir başvuru kaynağı olarak saklayın. Ürünü başka birisine vererseniz, kullanma kılavuzunu da birlikte verin. Kullanma kılavuzunda belirtilen tüm bilgi ve uyarıları dikkate alarak talimatlara uyun.

Bu kullanma kılavuzunun başka modeller için de geçerli olabileceğini unutmayın. Modeller arasındaki farklar kılavuzda açık bir şekilde belirtilmiştir.

Sembollerin anlamları

Bu kullanma kılavuzunun çeşitli kısımlarında aşağıdaki semboller kullanılmıştır:

	Cihazın kullanımıyla ilgili önemli bilgiler ve faydalı tavsiyeler.
	UYARI: Can ve mal güvenliğiyle ilgili tehlikeli durumlar konusunda uyarılar.
	UYARI: Elektrik çarpması uyarısı.
	UYARI: Yangın tehlikesi uyarısı.



**GERİ DÖNÜŞTÜRÜLMÜŞ &
GERİ DÖNÜŞTÜRÜLEBİLİR
KAĞIT**

Bu ürün çevreye saygılı modern tesislerde doğaya zarar vermeden üretilmiştir.

İÇİNDEKİLER

1 Önemli güvenlik ve çevre talimatları	25
1.1 Genel güvenlik	25
1.2 AEEE Yönetmeliğine Uyum ve Atık Ürünün Elden Çıkarılması	29
1.3 Ürünün ambalajı	29
1.4 Atık Aküler Hakkında Bilgilendirme	29
2 Genel bakış	30
2.1 Genel bakış	30
2.2 Teknik veriler	31
3 Montaj	33
3.1 Montaj.....	33
3.2 Ana direğin katlanması ve açılması.....	33
3.2.1 Ana direğin açılması	33
3.2.2 Ana direğin katlanması	34
4 Hazırlık	35
5 Şarj	36
5.1 Şarj	36
5.2 Şarj işlemi hakkında	37
5.3 Uyarılar.....	37
6 Kullanım	38
6.1 Kullanım amacı	38
6.2 Kullanım talimatları	38
6.2 Ön ve arka LED far	38
6.3 Güvenli sürüş.....	38
6.4 Güvenli park	40
6.5 Güvenli nakliye.....	40
7 Temizlik ve bakım	41
7.1 Akü bakımı	41
7.2 Rulmanlar, vidalar, frenler ve tekerlekler	41
7.3 Saklama ve temizlik	42
8 Sorun giderme	43
9 Tüketici hizmetleri	44

1.1 Genel güvenlik

ÖNEMLİ! Kullanım Kılavuzunu kullanmadan önce dikkatle okuyun ve bir başvuru kaynağı olarak saklayın.

UYARI: Elektrikli scooter'ı kullanmaya başlamadan önce, güvenli sürüşü öğrenin. Kişisel güvenliğiniz açısından daima kask takmanızı ve dirsek, diz ve bilek korumaları vb. koruyucu aksesuar kullanmanızı tavsiye ederiz. Güvenli sürüşü iyice öğrenmek için kullanım kılavuzunu mutlaka dikkatli bir şekilde okuyun.

UYARI: Bazı ülkelerde bu aracın kullanımı yasal olarak belirli bir asgari yaş sınırına tabidir ve ayrıca ilgili ehliyete sahip olmayı gerektirir. Aracı kullanacağınız ülkenin yasal gerekliliklerini karşıladığınızdan emin olun.

- Karayolları taşıtı değildir, otoyollarda kullanmayınız.
- Aracı kullanacağınız ülkedeki ilgili tüm mevzuatın farkında olmak ve bunlara riayet etmek sizin sorumluluğunuzdur. Ayrıca lütfen söz konusu ülkede hangi yollarda elektrikli scooter kullanı-

mına izin verildiğinden emin olun. Ülkenizde bu elektrikli scooter'e ilişkin hiçbir mevzuat bulunmuyorsa, lütfen hem kendinizin hem de diğer kişilerin güvenliğini bizzat gözetin.

- Çevrenizdeki kişilere dikkat edin. Aracı daima güvenli bir şekilde ve her an güvenli frenleme yapabileceğiniz hızlarda sürün. Bu gibi ürünlerde, kullanıcının düşerek kendini yaralama riski yaygın bir durumdur. Daima olabildiğince güvenli sürün.
- Elektrikli scooter'ı bir arkadaşınıza veya yakınınıza ödünç verecekseniz, bu kişinin uygun koruyucu aksesuar kullandığından ve scooter'ın kullanımını bildiğinden emin olun.
- Elektrikli scooter'ı kullanmadan önce lütfen kontrol ederek tüm parçalarının gerektiği gibi çalıştığından emin olun. Herhangi bir gevşek parça, anormal gürültü, akü zayıflığı vs. tespit ederseniz, lütfen gerekli bakım ve garanti işlemleri için satıcınızla görüşün. Elektrikli scooter'ı kendiniz onarmayın.

- Arka lastik, arka fren ve fren balatasını bu kullanım kılavuzunun 7. Bölümündeki bakım talimatları doğrultusunda kontrol edin. Arka frenin deforme olması veya gevşemesi elektrikli scooter'ı denge-siz hale getirir. Bunun nedeni, fren balatasının arka tekerleğe aşırı yaklaşması ve dolayısıyla arka tekerlekte muhtemel bir kilitlenme riski meydana gelmesidir.
- Arka çamurluğa aşırı güç uygulamaktan veya ayağınızı sürekli çamurlukta tutmaktan kaçının. Aksi takdirde çamurluk gevşeyebilir veya çamurluğu tutan yay hasar görebilir. Bunun sonucunda ise fren balatası sürekli olarak tekerleğe sürter ve oluşan ek dirençten dolayı motor sıcaklığı artar. Frenin sürekli olarak frenleme konumunda tutulması arka lastiğin gevşemesine de neden olabilir.
- Sürekli frenlemeden kaçının. Aksi takdirde lastikler aşınır ve ısınır. Bu durum lastik malzemesinin yumuşamasına ve lastiğin yol tutuşunun zayıflamasına yol açar. Frenlemenin ardından lastiğe dokunmayın.
- Lastik gevşerse hemen sürmeyi bırakın ve servise başvurun.
- Lastik bağımsız bir operatör veya servis tarafından değiştirilmelidir.
- Lütfen lastikleri düzenli olarak değiştirin.
- Elektrikli scooter'ı çalıştırdığınızda anormal bir gürültü veya sürtünme varsa, rulman hasarı olabilir. Ayrıca, gidonda güçlü bir titreşim hissedilmesi de bazen rulman aşınmasının bir göstergesidir. Bu durumda, elektrikli scooter'ı sadece kuru zeminlerde kullanın; aksi takdirde sürüş güvenliği ve fren performansı tehlikeye girer ve motor veya rulmanlar zarar görebilir.
- Scooter'ı uzun ve dik yokuşlarda aşağı veya yukarı sürmeyin.
- Scooter dik yollarda kullanılamaz.
- Elektrikli scooter'da bir aşırı ısınma koruması sistemi vardır ve uzun yokuşlarda sürüş sırasında etkinleşmiş olabilir. Gücü yeniden açarak ürünü yeniden etkinleştirmeden önce bir süre bekleyin.
- "Zayıf Akü Uyarısı" durumunda sürüşe devam etmeyin. Çünkü

bu durumda scooter yavaş hareket eder, çekişi zayıflar ve elektrikli fren çalışmaz. Bu durumda Elektrikli scooter'ı durdurmak için lütfen arka freni kullanın. Elektrikli scooter iniş için güvenli bir hıza düştüğünde scooter'den inin.

- Elektrikli freni ve gazı aynı anda kullanmayın.
- Sorunsuz durumdaki bir elektrikli scooter güvenli ve sessiz çalışır. Gürültü varsa veya sürüş sırasında zıplama oluyorsa, lütfen tekerlekler, rulmanlar ve frenleri kontrol edin. Gerekirse, onarım ve bakım için müşteri hizmetlerinizle görüşün.
 - İş istasyonundaki A-ağırlıklı ses basıncı seviyesi 70 dB(A) düzeyini aştığında; 70 dB(A) düzeyini aşmadığında
 - İş istasyonundaki anlık C-ağırlıklı tepe ses basıncı değeri 63 Pa (20 µPa'ya göre 130 dB) düzeyini aştığında
 - İş istasyonundaki A-ağırlıklı ses basıncı seviyesinin 80 dB(A) düzeyini aştığı durumlarda araç tarafından yayılan A-ağırlıklı ses gücü seviyesi

- İlk aylarda ciddi kazalar yaşamamak için, vakit ayırarak pratik yapın ve temel kullanımı iyice öğrenin
- Yoğun trafikten ve aşırı kalabalık yerlerden kaçınin.
- Her durumda, hızınızı ve istikametinizi öngörerek ilerleyin, taşıt ve yaya trafiği kurallarına uyun ve çocuk ve yaşlılar gibi en korunmasız yayalara dikkat edin.

UYARI: Engellerden zıplanması tavsiye edilir. Engellerden geçmeden önce, hızınızı ve istikametinizi yayaların hızına ve istikametine göre belirlemeniz çok önemlidir. Şekilleri, boyları veya kaygan olmaları itibarıyla tehlike arz eden engellerle karşılaştığınızda, scooter'den inmeniz tavsiye edilir.

UYARI: Plastik ambalajı çocuklardan uzak tutun; boğulma tehlikesi vardır.

UYARI: Sizi duymayan veya görmeyen bir yaya veya bisikletliye yaklaştığınızda kendisini uyarın.

UYARI: Korunmalı geçitleri yürüyerek geçin.

UYARI: Her durumda, kendinizin ve çevrenizdekilerin güvenliğini gözetin.

UYARI: Aracı uygunsuz amaçlarla kullanmayın.

UYARI: Bu araç akrobatik kullanım için tasarlanmamıştır.

UYARI: Dikkat! Fren kullanıldığında ısınır. Kullandıktan sonra dokunmayın.

UYARI: Tekerlek aksları, katlanır sistem, gidon sistemi ve fren mili başta olmak üzere, civatalı bağlantıların sıkılığını düzenli olarak kontrol edin.

UYARI: Kullanımdan kaynaklanan keskin kenarları giderin.

UYARI: Direksiyon borusu ve manşon, direk, katlama mekanizması ve arka fren dahil olmak üzere araç üzerinde hiçbir modifikasyon veya dönüşüm yapmayın.

UYARILAR:

- Dikkatsizlik, kontrol kaybı, düşmeler ve kural ihlali yaralanmalara neden olabilir.
- Hız ve menzil sürücünün kilosuna, yol yüzeyine, sıcaklığa ve sürüş tarzına bağlıdır.

• Elektrikli scooter'ı kullanırken kask takın ve koruyucu kıyafet giyin.

• Elektrikli scooter'ı kullanmadan önce kullanım kılavuzunu dikkatle okuyun.

• Araç sadece kuru ortamlarda kullanılmak üzere tasarlanmıştır.

• Aracın yerel mevzuata uygun olduğundan emin olun.

UYARI: Yerel makamlarca yasaklanmış yollarda kullanılmamalıdır.

• Başka bir araca asılı olarak veya tutunularak sürülmemelidir.

• Tek elle sürülmemelidir.

• Sürüş sırasında tehlikeli hareketler yapılmamalıdır.

• Yetkili servisin onayı olmadan aracın hiçbir parçasını sökmeyin veya değiştirmeyin ve araç üzerinde modifikasyon yapmayın. Yetkili servisin onayı olmadan gerçekleştirilen işlemler aracın orijinalliğini bozar ve aracın garanti dışında kalmasına yol açar. Lütfen tüm değişim işlemlerini yetkili servislere yaptırın.

UYARI: Aracı su kaynaklarının yakınında kullanmayın.

UYARI: Araç hasar gördüyse kullanmaya devam etmeyin.

- Gidona hiçbir şey bağlamayın veya asmayın. E-scooter'ın dengeğini etkileyebilir.
- Üretici tarafından onaylanmamış aksesuarlar veya ek donanımlar kullanılmamalıdır.
- Lütfen yerel mevzuatta belirtilen kullanım sınırlamalarını bilin (örn. yaya alanlarında veya yolda kullanıma ilişkin).
- Fren diskine dokunmayın.

1.2 AEEE Yönetmeliğine Uyum ve Atık Ürünün Elden Çıkarılması

Bu ürün T.C. Çevre ve Şehircilik Bakanlığı tarafından yayımlanan "Atık elektrikli ve Elektronik eşyaların Kontrolü Yönetmeliği"nde belirtilen zararlı ve yasaklı maddeleri içermez.



AEEE Yönetmeliğine uygundur. Bu ürün, geri dönüşümlü ve tekrar kullanılabilir nitelikteki yüksek kaliteli parça ve malzemelerden üretilmiştir. Bu nedenle, ürünü, hizmet ömrünün sonunda evsel veya diğer atıklarla birlikte atmayın. Elektrikli ve elektronik cihazların geri dönüşümü için bir toplama noktasına götürün. Bu toplama noktalarını bölgenizdeki yerel yönetime sorun.

Kullanılmış ürünleri geri kazanıma vererek Çevrenin ve doğal kaynakların korunmasına yardımcı olun.

1.3 Ürünün ambalajı



Ürününüzde kullanılan ambalajlar geri dönüşümü mümkün ambalajlardır. Ürününüzün ambalajlarının çevresel açıdan geri dönüşüm sürecine katılmasını sağlamanız için yerel resmi makamların kurallarına uygun olarak ambalajların ayrı atılmasını sağlayınız.

1.4 Atık Aküler Hakkında Bilgilendirme

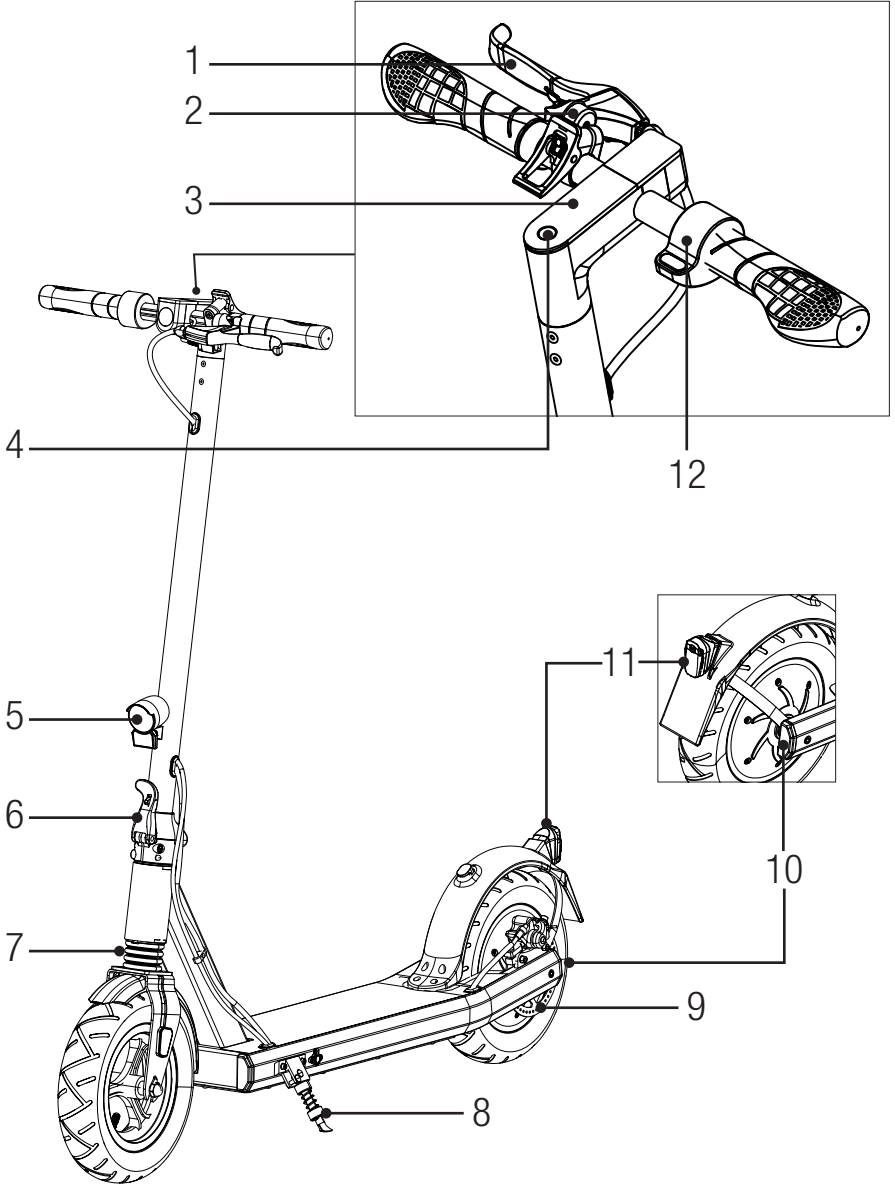


Aküler/Şarj edilebilir aküler veya ambalajları üzerinde bulunan bu sembol, akünün/şarj edilebilir akünün evsel atıklara karıştırılmaması gerektiğini belirtir.

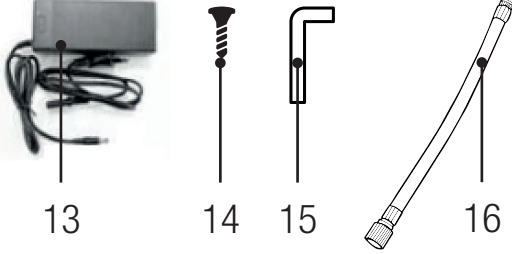
Kullanılmış aküleri/şarj edilebilir aküleri daima yerel çevre mevzuatına uygun olarak bertaraf edin. Bulduğunuz bölgede yürürlükte olan atık mevzuatını öğrenin.

2 Genel bakış

2.1 Genel bakış



2 Genel bakış



Kontrol ve parçalar

1. Fren kolu
2. Zil
3. LED ekran
4. Güç / Ön Far açma/kapatma düğmesi
5. Ön far
6. Katlama mandalı
7. Ön amortisör
8. Ayaklık
9. Disk fren
10. Uyarı lambaları
11. Arka far
12. Gaz düğmesi
13. Şarj cihazı
14. Gidon vidası (6x)
15. Alyan anahtar
16. Lastik şişirme hortumu

2.2 Teknik veriler

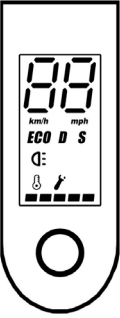
Giriş	100V-240V~; 50/60Hz; 2,5A(Maks)
Çıkış	42V; 2A
Akü	36V 7,5Ah
Maks hız	25 km/sa.
Maks menzil	25 km
Ağırlık	16 kg
Maks yük	120 kg
Güç tüketimi	≤ 350W
Ses basıncı seviyesi	Ses basıncı < 70 db (A).
Maks. eğim	~15°

2

Genel bakış

Katlanmış durumda ölçüler (U*G*Y)		1140*435*490 mm
Açık durumda ölçüler (U*G*Y)		1140*435*1165 mm
Şarj süresi		5 sa.
Akü	Nominal gerilim	36 V
	Giriş gerilimi	42 V
Tip: Li-iyon akü	Akü kapasitesi	7500 mAH
Elektrikli scooter'ı daima birlikte verilen şarj cihazı ile şarj edin		XHK-800B-4220

LED ekran

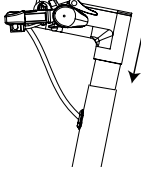
	88	Sürüş hızı	Mevcut sürüş hızını belirtir
	km/sa.	Hız birimi	Hız birimini km/sa. (km/h) veya mil/sa. (mph) olarak değiştirmek için lütfen açma/kapatma tuşuna üç kez basın.
	mil/sa.		
	ECO modu	Hız modu	Düşük vites göstergesi; 0-6 km/sa.
	D - Sürüş modu		Orta vites göstergesi; 0-15 km/sa.
	S - Spor mod		Yüksek vites göstergesi; 0-25 km/sa.
	☰	Far göstergesi	Far göstergesi yanıyor ise ön far açık demektir. Farları açıp kapatmak için açma/kapatma düğmesine iki kez basın.
	🌡️	Hararet göstergesi	Scooter'ın sıcaklığı aşırı yükseldiğinde, kullanıcıya sürüşe ara vermesi gerektiğini belirtmek için bu gösterge yanar.
🔧	Arıza göstergesi	Arıza göstergesi yanıyor ise, sürüşe devam etmeyin ve scooter'ı profesyonel bir kişiye kontrol ettirin.	
-----	Akü göstergesi	Akünün mevcut şarj seviyesini gösterir. 5 çubuk görünüyorsa akü tam şarjlı durumdadır; 1 çubuk varsa ve yanıp sönüyorsa akü zayıf demektir; lütfen gecikmeden şarj edin.	

3 Montaj

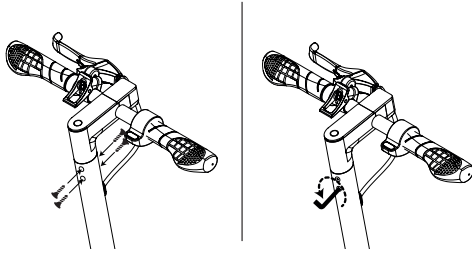
3.1 Montaj

Scooter'ı kullanabilmek için gidonu aracın ana direğine takmak gerekir.

1. Gidonu ana direğe takın.



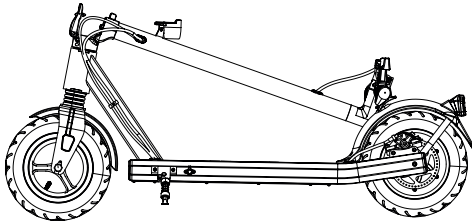
2. Gidondaki delikleri ana direkteki deliklere karşıladıktan sonra, vidaları takıp iyice sıkın; aynı işlemi gidonun karşı tarafında da toplam 4 vidayla gerçekleştirin.



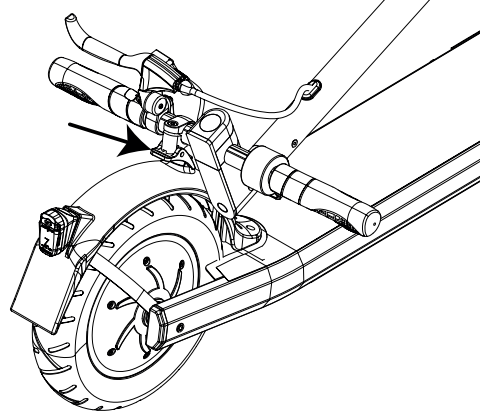
3.2 Ana direğin katlanması ve açılması

3.2.1 Ana direğin açılması

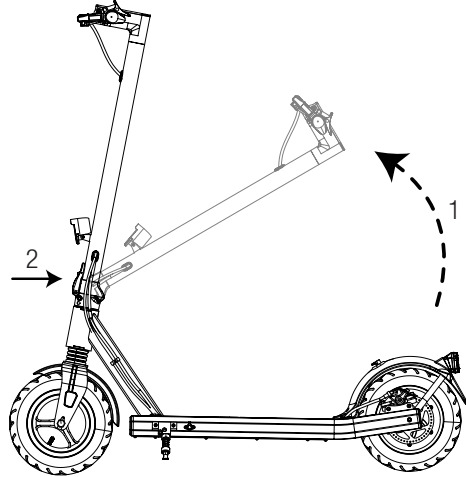
1. Elektrikli scooter'ı aşağıdaki gibi tekerlekleri üzerinde konumlandırın.



2. Gidonun kancasını açın.



3. Gidonu nazikçe yukarı çekin. Gidonu yavaşça kaldırın. Ana direğin alt kısmındaki katlama mandalını kapatın.

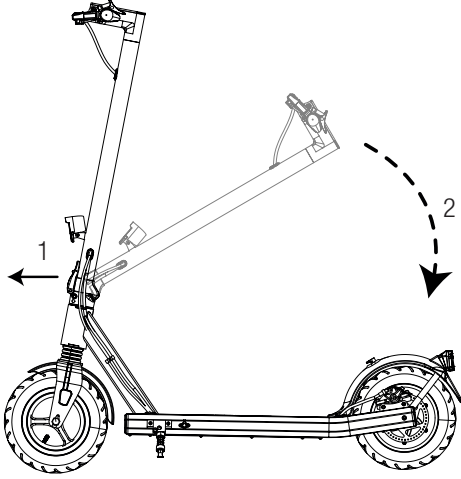


4. Mandalın kenetlenme sesini duyduğunuzda, ana direk açma işlemi tamamlanmış demektir.

3 Montaj

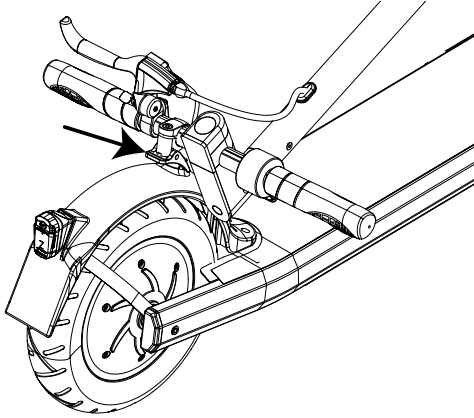
3.2.2 Ana direğin katlanması

1. Ana direğin alt kısmındaki katlama mandalını açın. Katlama mandalını tam açık konuma getirin.



2. Ana direği elinizle indirerek katlayın.

3. Katlanmış vaziyetteki ana direği ilgili desteğe kancayla sabitleyin.



- Sürüş öncesinde lütfen gidon sisteminin doğru ayarlandığından, tüm bağlantı elemanlarının sıkıca sabitlendiğinden ve kırık olmadığından ve frenler ve tekerleklerin iyi durumda olduğundan emin olun. Montaj ve güvenlik talimatlarına bakın.
- Lütfen kullanım kılavuzunu ve doğru kullanım ve frenleme teknikleri ile ilgili uyarıları okuyun
- Ayakkabı giyilmelidir.
- Öncelikle aküyü tam olarak şarj edin.
- Elektrikli scooter'ın tekerleklerine yakalanabilecek bol kıyafetler giymeyin ve bağcıklarınızı mutlaka bağlayın.
- Güvenliğiniz açısından, daima kask/tampon kullanmanızı önemle tavsiye ederiz.
- Kendinden kilitli somunlar ve kendinden kilitli diğer bağlantı elemanları zamanla etkinliklerini yitirebilir.
- Elektrikli scooter'ın herhangi bir parça ve malzemesi üzerinde değişiklik veya modifikasyon yapılması yasaktır. Yapıldığı takdirde garanti geçersiz kalır.
- Gece sürüşünde lütfen farları yakın.
- Maksimum kapasite: 120 kg

5 Şarj

5.1 Şarj

Verilen şarj cihazını elektrikli scooter'ın şarj girişine takın. Araç lityum aküye sahiptir.



- Elektrikli scooter'ın, şarj cihazının ve scooter'ın DC güç girişinin kuru olduğundan daima emin olun.



Bu scooter'ı şarj etmek için, yalnızca birlikte verilen XHK-800B-4220 şarj cihazını kullanın. Şarj cihazının çıkış değerleri: 42 V -2 A.

- Şarj etmek için şarj cihazının fişini normal bir elektrik prizine takın ve soketini aracın DC girişine bağlayın.
- Şarj işlemi haricinde şarj cihazında herhangi bir ışık yanmaz; şarj cihazını prize ve scooter'a bağlandığında ve şarj işlemi başladığında şarj cihazının ışığı kırmızı renkte yanar.
- Şarj işlemi doğru uygulandığında kırmızı göstergesi ışığı yanmalıdır; yanmıyorsa lütfen bağlantıları kontrol edin.
- Şarj işlemi tamamlandığında şarjı kesin. Aşırı şarj akünün ömrünü kısaltır.
- Şarj işlemi 4 saati bulabilir. Aküyü 3 saatten fazla şarj etmeyin. 3 saat dolduktan sonra, şarj cihazını scooter'dan ve prizden çıkarın. Aşırı şarj akünün daha kısa ömürlü olmasına yol açar.
- Araç ambalajı içerisinde ise, şarj etmeden önce ambalajından çıkarın.

- Şarj işleminden sonra scooter'ı ambalajına yerleştirecekseniz, soğuması için öncesinde en az 1 saat bekleyin.
- Scooter'ı herhangi bir otomobilin içinde güneşe maruz bırakmayın.



UYARI: Şarj işlemi sırasında araç otomatik olarak kapanır ve açılmaz. Scooter ancak şarj cihazı çıkarıldıktan sonra açılabilir.



DİKKAT: Elektrikli scooter şarj sırasında kullanılmamalıdır.

- Şarj işlemi sırasında şarj cihazının LED göstergesi kırmızı renkte yanar.
- Şarj işlemi tamamlandığında cihazının LED göstergesi yeşile döner.
- Şarj işleminin ardından, şarj cihazını scooter'dan ve prizden çıkarın.



DİKKAT: Elektrikli scooterle birlikte verilen DC kabloyu sadece DC girişine bağlayın!

- DC girişine yabancı cisimler sokmayın.



DİKKAT

- DC girişin koruyucu kapağını çıkarmayın!
- Bu kapağı sadece scooter'ı şarj edeceğiniz zaman çıkarın!
- Şarj işleminden sonra, DC kablo soketini araçtan çıkarın ve DC girişin kapağını yerine takın.



UYARI: Elektrikli scooter'ın iç aksamına su veya başka sıvılar girmesine asla müsaade etmeyin; aksi takdirde aracın elektronik aksamında / aküsünde kalıcı hasar meydana gelebilir. Yaralanma riski vardır.

5.2 Şarj işlemi hakkında

Elektrikli scooter'ın aküsü üretim hattında tam şarj edilmemiştir ve uzun süre kullanılmadığı takdirde kendiliğinden boşalabilir.

Akü tamamen boşaldığı takdirde şarj işleminde yavaşlık olabilir; bu durum normaldir ve akünün zarar görmesini önleme amaçlıdır.

Scooter'ınız açılmıyorsa veya şarj olmuyorsa (şarj cihazının ışığı sürekli yeşil renkte yanıyor), lütfen aşağıdaki adımları izleyin.

1. Şarj cihazını 6-7 saat süreyle scooter'a takılı tutun. Bu işlem akünün tekrardan tam olarak şarj edilebilmesini sağlayacaktır (normal şekilde şarj olmaya başlaması 3-4 saati bulabilir).
2. Yukarıdaki çözüm sonuç vermiyorsa, lütfen öncelikle scooter'ınızı açmadan manuel olarak hareket ettirin. Scooter'ı ayaklarınızla hız kazandırarak yaklaşık 100 m'lik bir tur atın ve ardından şarj cihazını tekrar bağlayın. Böylece, ön tekerlekteki motor şarj işlevinin etkinleştirilmesine yardımcı olacak ve akü normal şekilde şarj olacaktır. (Bu yöntem kullanıldığında tam şarj 3 saat sürer.)

5.3 Uyarılar

- Başka şarj cihazları kullanmak ürüne zarar verebilir ve başka muhtemel riskler oluşturabilir.
- Ürünü şarj ederken asla gözetimsiz bırakmayın.
- Ürünün şarj süresi dört saati aşmamalıdır. Dört saatten sonra şarjı sonlandırın.
- Ürün yalnızca 0°C ila 45°C sıcaklıklarda şarj edilmelidir.
- Daha düşük veya daha yüksek sıcaklıklarda şarj edildiği takdirde akü performansı düşebilir ve ürün hasarı ve yaralanmalar meydana gelebilir.
- Ürün yalnızca -10°C ila +45°C sıcaklıklarda kullanılmalıdır.
- Daha düşük veya daha yüksek sıcaklıklarda kullanıldığı takdirde akü performansı düşebilir ve ürün hasarı ve yaralanmalar meydana gelebilir.

- Ürünü 0°C ila 35°C sıcaklıklarda saklayın (ideal saklama sıcaklığı 25°C'dir.)
- Ürünü, yanıcı (alev alabilecek) malzemelerden uzak, açık ve kuru ortamlarda şarj edin ve yine bu tip ortamlarda saklayın.
- Ürünü doğrudan güneş ışığı altında veya çıplak alevlerin yakınında şarj etmeyin.
- Ürünü kullandıktan hemen sonra şarj etmeyin. Şarj etmeden önce soğuması için bir saat bekleyin.
- Ürün başka kişilerin yanında bırakılacaksa (örneğin tatillerde), kısmen şarj edilmesi (%20-50 şarj) önerilir. Tam şarj edilmemelidir.
- Ürün fabrikadan teslim edildiğinde genellikle kısmi şarj edilmiş durumdadır. Kullanacağınız zamana kadar ürünü kısmi şarjlı durumda tutun.

6.1 Kullanım amacı

Elektrikli scooter bir ulaşım aracı ya da spor ekipmanı değildir, sadece kişisel eğlence amacıyla tasarlanmış bir cihazdır. Elektrikli scooter en az 16 yaşında ve en fazla 120 kg ağırlıkta olan kişiler tarafından kullanılabilir. Elektrikli scooter'ın izin verilen kullanımı ile ilgili teknik veriler bu bölümde mevcuttur. Önemli bir husus olarak; Elektrikli scooter daima görüşün iyi olduğu şartlarda ve ancak dengeli kullanım için gereken fiziksel koşullar karşılandığı takdirde kullanılabilir (Örneğin tek ayak üzerinde sürüş yapılmamalı ve ilaç veya alkol etkisi altındayken araç kullanılmamalıdır.). Elektrikli scooter kullanılırken, Önemli güvenlik ve çevre talimatlarına uyulmalı ve bu bölümde belirtilen kişisel koruyucu kıyafet ve aksesuarlar giyilmelidir.

6.2 Kullanım talimatları

1. Vites değiştirmek için güç düğmesine (4) basın; düşük vites (ECO), orta vites (D) ve yüksek vites (S) mevcuttur.
2. Elektrikli scootere ilk hareketi ayağınızla vermeniz gerekir.
3. Kalkış modu: Scooter güç destekli bir kalkış moduna sahiptir ve gaz düğmesi (12) ancak scooter 3 km/sa. hıza ulaştıktan sonra kullanılabilir. Hızlanmak için gaz düğmesine (12) basın. Frenlemek için fren kolunu (1) sıkın.
4. Gaz düğmesi (12) ve fren kolunu (1) aynı anda kullandığınızda, scooter otomatik olarak frenler.



Güvenlik nedenleriyle, yüksek hızda sürüş sırasında arka tekerlek fren sistemi kullanılmamalıdır.

5. Gece sürüşünde, ön LED farı açmak/kapatmak için güç düğmesine (4) iki kez basın.
6. İlk hareket verildikten sonra, ECO modunda mevcut hız 0-6 km/saate ulaştığında arka lambalar otomatik olarak yanıp söner.
7. Fren kolu (1) sıkıldığında scooter durur.
8. Aracın menzili çeşitli faktörlere bağlıdır:

- Yol yüzeyi: Aracın düz yoldaki menzili, bozuk yollara kıyasla daha uzundur.
- Ağırlık: Sürücünün kilosu menzili etkileyen faktörlerdendir.
- Sıcaklık: Aşırı sıcaklıklar menzili kısaltır.
- Bakım: Elektrikli scooter doğru şekilde şarj edildiği ve akü iyi durumda olduğu sürece menzil daha uzun olacaktır.
- Hız ve sürüş tarzı: Sabit hızda sürüş yapıldığı durumdaki menzil, sık sık dur-kalk veya hızlanma-frenleme yapıldığı duruma göre daha uzundur.

9. Havalı lastikler için; maksimum basınç lastiğin üzerinde belirtilmiştir.

6.2 Ön ve arka LED far

1. Scooter ön ve arka LED farlara sahiptir. Ön ve arka LED farları açmak/kapatmak için güç düğmesine (4) iki kez basın.
2. Arka LED farın yanıp sönmeye için fren kolunu (1) sıkın.

6.3 Güvenli sürüş

Bu bölümde güvenlik, deneyim ve uyarılar ele alınmaktadır. Aracı kullanmadan önce lütfen tüm montaj ve kullanım talimatlarını dikkatle okuyun.



UYARI: Elektrikli scooter'ın zarar görmemesi açısından, kullanmadan önce scooter'ı iyice tanıyın.

- Elektrikli scooter'ı kullanırken tüm güvenlik talimatlarına uyun.
- Çocuklar, yaşlılar ve hamile kadınların aracı kullanmaları yasaktır.
- Denge sorunu olan kişilerin scooter'ı kullanmaları yasaktır.
- Alkol veya başka maddelerin etkisi altındayken scooter'ı kullanmaktan kaçının.
- Scooter'ı kullanırken herhangi bir eşya taşımayın.
- Scooter'ı güvenli şekilde sürmek için önünüzdeki bölgeyi net olarak görebildiğinizden emin olun.

- Sürüş sırasında ayaklarınız daima ayak platformu üzerinde olmalıdır.
- Elektrikli scooter tek kişiliktir.
- Ani kalkış veya ani frenlemeden kaçının.
- Dik yollarda sürüş yapmaktan kaçının.
- Elektrikli scooter'ı sert bir cisme çarpmanız halinde (Örneğin bir duvara veya başka bir yapıya), kullanmaya devam etmeyin.
- Yeterli ışıklandırması olmayan veya karanlık yerlerde sürüş yapmayın.
- Elektrikli scooter'ı kullanımınızda tüm riskler size aittir; kaza veya hasarlar için tarafımızdan sorumluluk kabul edilmez.
- Kullanıcılar, 31454 sayılı Elektrikli Skuter Yönetmeliği, 2918 sayılı Karayolları Trafik Kanununda ve ilgili diğer mevzuatta belirtilen kurallara uymakla yükümlüdürler. Bu kurallara uyulmamasından ve/veya kullanıcı talimatlarını ihlal eden eylemlerden kaynaklanan herhangi bir mali kayıp, fiziksel yaralanma, kaza, yasal anlaşmazlık ve diğer ihtilaflardan sorumluluk kabul edilmemektedir.
- Her an durabilmeniz için imkan tanıyacak, güvenli bir hızı tercih edin.
- Çarpışmalardan kaçınmak için, scooter ile yollar ve araçlar arasında daima yeterli bir mesafe bırakın.
- Hızlı dönüş ve manevra yapmayın; hızlı hareketler düşmenize neden olabilir.
- Yağmur altında veya ıslak yüzeylerde sürüş yapmayın. Aracı sadece yağışsız havalarda kullanın.
- Engellerden geçmekten mümkün mertebe kaçının ve karlı, buzlu ve kaygan yüzeylerde sürüş yapmayın.
- Kumaş parçaları, küçük dallar ve taşlardan mümkün mertebe kaçınin.
- Dar veya engel barındıran yerlerden mümkün mertebe kaçınin.
- Elektrikli scootere atlayarak biniş/iniş yapmak, garanti kapsamına alınmayan hasarlara yol açar. Yaralanma riski vardır. "Akrobatik sürüş" yapıl-

masından kaynaklanan yaralanma ve hasarlar garanti kapsamında değildir.



Scooter'ı şarj etmek için, yalnızca birlikte verilen XHK-800B-4220 şarj cihazını kullanın. Şarj cihazının çıkış değerleri: 42 V -2 A.

- Direksiyon borusu ve manşon, direk, katlama mekanizması ve arka fren dahil olmak üzere araç üzerinde hiçbir modifikasyon veya dönüşüm yapmayın.
- Kullanıcının boyu: 140-200 cm
- Kullanıcının yaşı: 16-50 yaş
- Güvenliğinizi sağlayın.
- Aşırı yüklemeye yapmaktan kaçınin; hasara yol açabilir.



UYARI: Elektrikli scooter'ın iç aksasına su veya başka sıvılar girmesine asla müsaade etmeyin; aksi takdirde aracın elektronik aksamında / aküsünde kalıcı hasar meydana gelebilir. Yaralanma riski vardır.



DİKKAT: Elektrikli scooter'ın gövdesini açmayın; aksi takdirde garanti geçersiz kalır.

- Elektrikli scooter'ı kullanmadan önce mutlaka kask takın ve koruyucu kıyafet giyin.
- Elektrikli scooter'ı kullanmadan önce kullanım kılavuzunu mutlaka dikkatle okuyun.
- Elektrikli scooter yalnızca kuru ve düz yüzeylerde kullanılmalıdır
- Elektrikli scooter 16 yaşından küçük kişiler tarafından kullanılmamalıdır

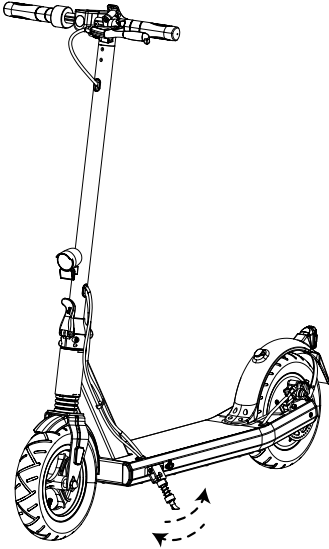


UYARI: Tüm mekanik ürünlerde olduğu gibi, bu araç da yüksek gerilme ve aşınmaya tabidir. Farklı malzemeler aşınma ve yorulmaya farklı şekillerde tepki verebilir. Herhangi bir parçanın öngörülen ömrü dolduğunda, parça her an arızalanabilir ve dolayısıyla kullanıcının yaralanmasına neden olabilir. Yüksek gerilmeye tabi bölgelerde çatlak, çizik veya renk değişimi meydana gelmesi, söz konusu parçanın ömrünün dolduğu ve değiştirilmesi gerektiği anlamına gelir.

6.4 Güvenli park

Elektrikli scooter'ı durdurduktan sonra, scooter'dan inin ve ayaklığı sağ ayağınızla aşağıya doğru itmek suretiyle açarak scooter'ı destekleyin. Ayaklık (8), scooter'ın sol tarafında, ayak platformunun altındadır.

Elektrikli scootere tekrar binmeden önce, ayaklığı (8) yukarıya doğru iterek ayak platformuna paralel olacak şekilde kapatın.



Araç açık alanlara park ettiğinizde, mekanik bir kilit kullanarak hırsızlığa karşı önlem alın.

- Araç, yaya ve engelli geçişine engel olmayacak şekilde park edilmelidir.
- Araç, yaya ve araç trafiğine engel olmayacak şekilde park edilmelidir.
- Araç, kamu düzenini bozacak veya özel mülkiyete zarar verecek şekilde park edilmemelidir.

6.5 Güvenli nakliye

Elektrikli scooter'ı yassı bir şekilde paketlenin, nakliye sırasında düşmesine izin vermeyin ve çıplak alevlerin veya patlayıcı maddelerin yakınında bulundurmayın.

7 Temizlik ve bakım

- Elektrikli scooter'ınızdan mümkün olan en yüksek performansı almak ve en iyi şekilde istifade etmek için, ürünün ana aksamının düzenli bakım görmesi önemlidir.
- Akü bakımı
- Rulmanlar, Vidalar, Frenler ve Tekerlekler
- Saklama ve Temizlik

Elektrikli scooter'ınız belirli bir bakım gerektirir. Bu nedenle lütfen bu kılavuzu okuyun ve iyice öğrenin.

7.1 Akü bakımı

- Her akünün belirli bir ömrü vardır ve performansı zamanla düşer. Ancak, aşağıda verilen tavsiyeler maksimum akü ömrü elde etmenize yardımcı olacaktır.
- Elektrikli scooter'ı uzun süre kullanmayacak olursanız dahi aküyü düzenli aralıklarla mutlaka şarj edin. Bu işlem, uzun süre boyunca düşük gerilimden kaynaklanan hasarı önleme amaçlıdır.
- Akünün tamamen boşalmasına izin vermeyin. Aküyü boşalmadan şarj etmek en iyisidir. Böylece akü daha uzun ömürlü olacaktır. Sürekli olarak boşalması aküye zarar verir (hatalı muameleden kaynaklanan zararlar garanti kapsamına alınmaz).
- Elektrikli scooter'ı soğuk veya çok sıcak bölgelerde kullanıyorsanız, aküsü, 15-25 °C aralığındaki sıcaklıklarda kullanıldığı duruma göre daha kısa ömürlü olabilir. Bu durum normaldir ve aküde sorun olduğu anlamına gelmez.



UYARI: Elektrikli scooter bir süre kullanılmadığında, akü tam şarj edilmiş olsa dahi zamanla boşalır. Tam şarj edilmiş bir akü kullanılmadığı durumda enerjisini en fazla 90 - 120 gün muhafaza edebilir. Tam şarj edilmemişse bu süre daha kısa olacaktır.

- Akünün 50°C'nin üzerinde veya eksi 10°C'nin altındaki sıcaklıklara uzun süre maruz bırakılmadığından emin olun. (Örneğin, scooter'ı yaz aylarında otomobil içerisinde bırakmayın ya da ateşe atmayın). Düşük (örn. sıfırın altındaki) sıcaklıklar akü hücrelerine zarar verebilir.
- Elektrikli scooter'ı çıplak alevlerden veya diğer ısı kaynaklarından uzak tutun; aksi takdirde akü aşırı ısınır. Ayrıca scooter'ı dondurucu sıcaklıklarda bırakmayın. Akü sadece ısıdan değil, aşırı soğuktan da boşalabilir.
- Yalnızca orijinal şarj cihazını kullanın veya akü değişimini yetkili servise yaptırın; farklı aküler farklı şarj cihazları gerektirebilir ve uygunsuz bir şarj cihazı kullanıldığı takdirde ürünün hasar görme ihtimali vardır.
- Aküyü aşırı şarj etmeyin ve tamamen boşalmasına izin vermeyin.
- Akü hücrelerinin zarar görmemesi için, aküyü mutlaka tamamen boşalmadan şarj edin.



Hatalı muameleden kaynaklanan akü hasarları garanti kapsamına alınmaz.

- Akü grubu parçalarının sökülmesi yasaktır. Bu işlemler sadece yetkili servisler ve profesyoneller tarafından gerçekleştirilebilir.

7.2 Rulmanlar, vidalar, frenler ve tekerlekler

Elektrikli scooter'ınız, zamanla aşınma ve eskimeye uğrayan hareketli aksama sahiptir.

Rulmanlar ve vidalar. Elektrikli scooter tam kapalı ve toz geçirmez rulmanlara sahiptir ve dolaşısıyla rulmanlar yağlama gerektirmez. Süreli kullanımının tehlikeye girmemesi açısından rulmanları aşınmaya karşı düzenli aralıklarla kontrol edin. Elektrikli scooter'e atlayarak biniş/iniş yapmayın ve aşırı güç uygulamayın; aksi takdirde rulmanlar zarar görür. Bu bir spor amaçlı scooter değildir.

7 Temizlik ve bakım

Güvenliği tehlikeye atan durumlara karşılaşmak için tüm vidaların düzgünce sıkıldığından emin olun. Lütfen vidaları düzenli olarak kontrol edin ve gevşek görünenleri sıkın.

Frenler: Sürüş güvenliğinin tehlikeye girmemesi açısından freni aşınmaya karşı düzenli aralıklarla kontrol edin. Aşırı kuvvet uygulamayın; aksi takdirde fren hasar görebilir.

Elektrikli scooter'ın disk freni zamanla ayar gerektirir ve aşındığında değiştirilmelidir. Elektrikli scooter'ı frenleri aşınmış vaziyette kullanmayın; bu durum güvenli değildir ve ayrıca frene zarar verir.

Tekerlekler: Sürüş güvenliğinin tehlikeye girmemesi açısından tekerlekleri aşınmaya karşı düzenli aralıklarla kontrol edin.

Elektrikli scooter'lar farklı tiplerde tekerleklere sahip olmakla birlikte, genel itibarıyla "havalı lastikli" ve "dolgu lastikli" olarak sınıflandırılabilir.

Havalı lastikli skuterlerde, lastikleri mutlaka doğru basınçta tutun; doğru sertlikteki lastikler daha uzun ömürlü olur.

Vidalar sıkı olmasına rağmen tekerleklerde oynama varsa, rulmanlar aşınmış veya değişim gerektiriyor olabilir.

7.3 Saklama ve temizlik



UYARI: Alkol, benzin, kerosen veya diğer aşındırıcı ve uçucu kimyasal solventler kullanmayın. Aksi takdirde scooter'ın hem dış yüzeyleri hem de iç yapısı zarar görebilir.

- Elektrikli scooter'iniz kirlendiğinde lütfen sadece nemli bir bezle temizleyin. Tazyikli suyla veya akan suyun altına tutarak temizlenmesi yasaktır; bu tip yöntemler önemli parçalara zarar verebilir. İnatçı kirler için bir miktar diş macunu da kullanılabilir. Ancak sonrasında nemli bezle temizlemeyi unutmayın.

- Temizlik sırasında scooter'ı lütfen kapalı tutun ve şarj kapağının kapalı olduğundan emin olun; aksi takdirde elektronik aksamda sorunlar oluşabilir.
- Elektrikli scooter'ın ıslanması halinde, bir havluya kurulayın.
- Elektrikli scooter'ınızı kullanmadığınız zamanlarda lütfen kuru ve serin bir yerde saklayın. Açık alanlarda bırakmaktan kaçının; scooter'ınız ıslak ortamlarda saklanmaya elverişli değildir. Uzun süre doğrudan güneş ışığına maruz bırakılmamalı ve bu vb. şekillerde aşırı ısınmasına da müsaade edilmemelidir.

Arıza	Çözüm
E5 görüntüleniyor.	Motor kablosu soketinin gevşek olup olmadığını kontrol edin.
E6 görüntüleniyor.	Elektrikli scooter'ın dik bir yokuşta hareket edip etmediğini ve güç eksikliği olup olmadığını kontrol edin.
Kontrol ünitesi aşırı ısınma koruması.	Ekranda aşırı ısınma sembolü yanar ve yanıp söner (Kontrol ünitesi sıcaklığı $100^{\circ}\text{C}\pm 10^{\circ}\text{C}$ aralığında olduğunda). Aşırı ısınma sembolü kaybolana kadar birkaç dakika bekleyin, gaz kolu yeniden kullanılabilir duruma gelebilir.
Batarya aşırı ısınma koruması.	Bataryanın yüksek sıcaklığı ($70^{\circ}\text{C}\pm 5^{\circ}\text{C}$) nedeniyle Elektrikli scooter'ın gücü kapatılmış olabilir. Elektrikli scooter'ın soğuması için birkaç dakika (en az 15 dakika) gerekir. Soğuduktan sonra Elektrikli scooter gücünü açarak yeniden etkinleştirilebilir.
Düşük batarya uyarısı.	Akü durumu ile ilgili 5 çubuk ekranda yanıp söner. Lütfen Elektrikli scooter'ı sürmeyi durdurun ve en kısa zamanda şarj edin.
Fren çalışmıyor.	Disk fren hattının gevşemiş olup olmadığını kontrol edin ve ayarlayın. E3 arızası, lütfen e-fren hattının gevşemiş olup olmadığını kontrol edin.
E2 Gaz kolu çalışmıyor.	Gaz kolu hattının gevşemiş olup olmadığını kontrol edin.
Lambalar yanmıyor.	Lambanın çalışıp çalışmadığını kontrol etmek için "Güç" düğmesine iki kez basın.
Cihaz açılmıyor.	Şarj cihazını bağlayın ve batarya durumunu kontrol edin.
Şarj işlemi anormalse.	<ol style="list-style-type: none"> Bataryanın aşırı ısınma nedeniyle korunmaya alınıp alınmadığını kontrol edin. Lütfen bir süre Elektrikli scooter'ın soğumasını bekleyin. Şarj soketinin tamamen oturmuş olup olmadığını kontrol edin. Şarj soketinin ıslak ve kısa devre olup olmadığını kontrol edin.
Anormal Ses	<ol style="list-style-type: none"> İç lastikte yeterince hava olup olmadığını kontrol edin. Motorun normal olarak çalışıp çalışmadığını kontrol edin. Aşırı ısınma yok. Disk freni kontrol edin ve uygun ayarlamaları yapın.
Gidon sarsılıyor veya eğiliyor.	Vidalarnın gevşek olup olmadığını kontrol edin ve uygun ayarlamaları yapın.
Otomatik olarak güç kapatma.	<ol style="list-style-type: none"> Pozitif ve negatif kabloların anormal şekilde temas etmesi nedeniyle batarya kablolarında kısa devre olabilir. Alt kapaktan batarya kabinine su sıçrayıp sıçramadığını kontrol edin. Batarya aşırı ısınma koruması, Elektrikli scooter'ın soğuması için birkaç dakika (en az 15 dakika) gerekir.

Müşteri Hizmetleri

Müşteri Memnuniyeti Politikası

- Müşterilerimizin istek ve önerilerini her kanaldan karşılamaktan mutluluk duyarız.

Kanallarımız:

* Çağrı Merkezimiz: 0850 210 0 888

(Sabit telefonlardan veya cep telefonlarından alan kodu çevirmeden arayın*)

* Diğer Numaramız: 0216 585 8 888

- Çağrı Merkezimiz haftanın 7 günü 24 saat hizmet vermektedir.

- Çağrı Merkezimiz ile yaptığınız görüşmeler iletişim hizmeti aldığınız operatör firma tarafından sizin için tanımlanan tarifeye göre ücretlendirilir.

- Sabit veya cep telefonlarınızdan alan kodu tuşlamadan çağrı merkezi numaramızı arayarak ürününüz ile ilgili arzu ettiğiniz hizmeti talep edebilirsiniz.

* Whatsapp Numaramız: 0544 444 0 888

* Faks Numaramız: 0216-423-2353

* Web Adresimiz:

- www.arcelik.com.tr

* e-posta Adresimiz:

- musteri.hizmetleri@arcelik.com.tr

* Sosyal Medya Hesaplarımız:

- <https://www.instagram.com/arcelik/>

- <https://twitter.com/arcelik>

- <https://www.facebook.com/arcelik/>

- <https://www.youtube.com/user/tvarcelik>

* Posta Adresimiz:

- Arçelik A.Ş., Karaağaç Caddesi No:2-6, 34445, Sütlüce / İSTANBUL

* Bayilerimiz,

- <https://www.arcelik.com.tr/arcelik-bayileri>

* Yetkili Servislerimiz,

- <https://www.arcelik.com.tr/yetkili-servisler>

- Tüm yetkili servis istasyonu bilgilerimiz, Ticaret Bakanlığı tarafından oluşturulan "Servis Bilgi Sistemi"nde (www.servis.gov.tr) yer almaktadır.

- Yedek parça malzemeleri yetkili servislerimizden temin edilebilir.

- Müşterilerimizden iletilen istek ve önerilerin Arçelik'e ulaştığı bilgisini, müşteri profili ayrımı yapılmaksızın kendilerine 24 saat içinde veririz.
- Müşteri Hizmetleri sürecimiz:
Müşterilerimizin istek ve önerilerini;
* **İzlenebilir, raporlanabilir, şeffaf ve güvenli tek bir bilgi havuzunda toplarız.**
* **Yasal düzenlemelere uygun, objektif, adil ve gizlilik içinde ele alır ve değerlendiririz.**
* **Bu geri bildirimleri süreçlerimizin daha mükemmel hale getirilmesinde kullanırız.**
- Arçelik olarak, mükemmel müşteri deneyimini yaşatmayı ana ilke olarak kabul eder, müşteri odaklı bir yaklaşım benimseriz.
- Bütün süreçlerimizi yönetim sistemi ile entegre ederek birbirini kontrol eden bir yapı geliştirilmesini sağlarız.
Yönetim hedeflerini de bu sistem üzerinden besleriz.

Aşağıdaki önerilere uymanızı rica ederiz.

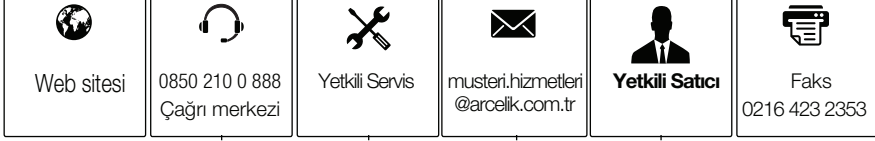
- Ürününüzü aldığınızda Garanti belgesini Yetkili Satıcınıza onaylattırınız.
- Ürününüzü kullanma kılavuzu esaslarına göre kullanınız.
- Ürününüz ile ilgili hizmet talebiniz olduğunda yukarıdaki telefon numaralarından Çağrı Merkezimize başvurunuz.
- Hizmet için gelen teknisyene "teknisyen kimlik kartı"nı sorunuz.
- İşiniz bittiğinde Yetkili servis teknisyeninden "Hizmet Fişi" istemeyi unutmayınız. alacağınız "Hizmet Fişi" , ilerde ürününüzde meydana gelebilecek herhangi bir sorunda size yarar sağlayacaktır.
- Ürünün kullanım ömrü: 10 yıldır. (Ürünün fonksiyonunu yerine getirebilmesi için gerekli yedek parça bulundurma süresi)

10 Tüketici hizmetleri

Hizmet talebinin değerlendirilmesi

1

Müşteri Başvurusu



2

Başvuru kaydı

Başvuru Konusu
Müşteri Adı, Soyadı
Müşteri Telefonu
Müşteri Adresi

3

Hizmet talebinin alınması

- Hizmet talebi analizi
- Hizmet hakkında müşterinin bilgilendirilmesi (Keşif,nakliye,montaj,bilgi,onarım,değişim vb.)
- Hizmet hakkında gerekli işlemin gerçekleştirilmesi

4

Müşteri memnuniyetinin alınması

Memnun

Memnun
değil

5

Başvuru kaydının kapatılıp, bilgilerin saklanması

Bu kılavuzu okumadan ürününüzü çalıştırmayınız.

Ürününüz ile ilgili garanti şartları, kullanımı ve sorun giderme yöntemleri kılavuzda yer almaktadır.

Uygun Kullanım ve Garanti ile İlgili Dikkat Edilmesi Gereken Hususlar;

Aşağıda belirtilen sorunların giderilmesi ücret karşılığında yapılır. Bu durumlar için garanti şartları uygulanmaz;

1. Kullanım hatalarından kaynaklanan hasar ve arızalar,
 2. Malın tüketiciye tesliminden sonraki yükleme, boşaltma, taşıma vb. sırasında oluşan hasar ve arızalar,
 3. Malın kullanıldığı yerin elektrik (priz, gerilim, topraklama vb.), su (su basıncı, musluk vb.), doğalgaz, telefon, internet vb. şebekesi ve/veya altyapısı (gider, zemin, ortam vb.) kaynaklı meydana gelen hasar ve arızalar,
 4. Doğa olayları ve yangın, su baskını vb. kaynaklı meydana gelen hasar ve arızalar,
 5. Malın tanıtma ve kullanma kılavuzlarında yer alan hususlara aykırı kullanılmasından kaynaklanan hasar ve arızalar,
 6. Malın, 6502 sayılı Tüketicinin Korunması Hakkındaki Kanununda tarif edilen şekli ile ticari veya mesleki amaçlarla kullanımı durumunda ortaya çıkan hasar ve arızalar,
 7. Mala yetkisiz kişiler tarafından bakım, onarım veya başka bir nedenle müdahale edilmesi
- Durumlarında mala verilmiş garanti sona erecektir.

Garanti uygulaması sırasında değiştirilen malın garanti süresi, satın alınan malın kalan garanti süresi ile sınırlıdır.

Ürününüz Arçelik A.Ş. adına Shen Zhen Cido Technology Co., Ltd, 302 NO: 2 GUANYUN STREET PINGDI SUB, DISTIRC, LONG GANG DISTRICT, Tel: +0086-755-23731613 Shenzhen CHINA tarafından üretilmiştir.

Menşei: P.R.C.

GARANTİ ŞARTLARI

- 1) Garanti süresi, malın teslim tarihinden itibaren başlar ve 2 yıldır.
- 2) Malın tanıtma ve kullanma kılavuzunda gösterildiği şekilde kullanılması ve Arçelik A.Ş.'nin yetkili kıldığı servis çalışanları dışındaki şahıslar tarafından bakım, onarım veya başka bir nedenle müdahale edilmemiş olması şartıyla, malın bütün parçaları dahil olmak üzere tamamını; malzeme, işçilik ve üretim hatalarına karşı malın teslim tarihinden itibaren yukarıda belirtilen süre kadar garanti eder.
- 3) Malın ayıplı olduğunun anlaşılması durumunda tüketici, 6502 sayılı Tüketicinin Korunması Hakkında Kanununun 11 inci maddesinde yer alan;
 - a- Sözleşmeden dönme,
 - c- Ücretsiz onarılmasını isteme,
 - b- Satış bedelinden indirim isteme,
 - ç- Satılmanın ayıpsız bir misli ile değiştirilmesini isteme, haklarından birini kullanabilir.
- 4) Tüketicinin bu haklardan ücretsiz onarım hakkını seçmesi durumunda satıcı; işçilik masrafı, değiştirilen parça bedeli ya da başka herhangi bir ad altında hiçbir ücret talep etmeksizin malın onarımını yapmak veya yaptırmakla yükümlüdür. Tüketici ücretsiz onarım hakkını üretici veya ithalatçıya karşı da kullanabilir. Satıcı, üretici ve ithalatçı tüketicinin bu hakkını kullanmasından müteselsilen sorumludur.
- 5) Tüketicinin, ücretsiz onarım hakkını kullanması halinde malın;
 - Garanti süresi içinde tekrar arızalanması,
 - Tamiri için gereken azami sürenin aşılması,
 - Tamirinin mümkün olmadığı, yetkili servis istasyonu, satıcı, üretici yada ithalatçı tarafından bir raporla belirlenmesi durumlarında;

tüketici malın bedel iadesini, ayıp oranında bedel indirimini veya imkân varsa malın ayıpsız misli ile değiştirilmesini satıcıdan talep edebilir.

Satıcı, tüketicinin talebini reddedemez. Bu talebin yerine getirilmemesi durumunda satıcı, üretici ile ithalatçı müteselsilen sorumludur.

- 6) İlgili mevzuatlarda belirlenen kullanım ömrü süresince malın azami tamir süresi 45 iş gününü, geçemez. Bu süre, garanti süresi içerisinde mala ilişkin arızanın yetkili servis istasyonuna veya satıcıya bildirim tarihinde, garanti süresi dışında ise malın yetkili servis istasyonuna teslim tarihinden itibaren başlar. Garanti kapsamı içerisindeki malın arızasının 10 iş günü içerisinde giderilememesi halinde, üretici veya ithalatçı; malın tamiri tamamlanıncaya kadar, benzer özelliklere sahip başka bir malı tüketicinin kullanımına tahsis etmek zorundadır. Benzer özelliklere sahip başka bir malın tüketici tarafından istenmemesi halinde üretici veya ithalatçılar bu yükümlülüğünden kurtulur. Malın garanti süresi içerisinde arızalanması durumunda, tamirde geçen süre garanti süresine eklenir.
- 7) Malın kullanma kılavuzunda yer alan hususlara aykırı kullanılmasından kaynaklanan hasar ve arızalar garanti kapsamı dışındadır.
- 8) Tüketici, garantiden doğan haklarının kullanılmasına ile ilgili olarak çıkabilecek uyuşmazlıklarda yerleşim yerinin bulunduğu veya tüketici işleminin yapıldığı yerdeki Tüketici Hakem Heyetine veya Tüketici Mahkemesine başvurabilir.
- 9) Satıcı tarafından bu Garanti Belgesinin verilmesi durumunda tüketici, Ticaret Bakanlığı Tüketicinin Korunması ve Piyasa Gözetimi Genel Müdürlüğüne başvurabilir.

Üretici veya İthalatçı Firmamız:

Unvanı: Arçelik A.Ş.
Adresi: Arçelik A.Ş. Karaağaç Caddesi No:2-6,
34445, Sıtlıçe / İSTANBUL
Telefonu: 0216 585 8 888
Faks: 0216 423 2353
web adresi: www.arçelik.com.tr

Malın:

Markası: Arçelik
Cinsi: Elektrikli Scooter
Modeli: A35010
Bandrol ve Seri No:
Garanti Süresi: 2 YIL
Azami Tamir Süresi: 45 iş günü

GENEL MÜDÜR

**Arçelik A.Ş.**

GENEL MÜDÜR YRD.

**Satıcı Firmamız:**

Unvanı:
Adresi:
Telefonu:
Faks:
e-posta:

Fatura Tarih ve Sayısı:
Teslim Tarihi ve Yeri:
Yetkilinin İmzası:
Firmamız Kaşesi:

Bu bölümü, ürünü aldığınız Yetkili Satıcı imzalayacak ve kaşeyecektir.